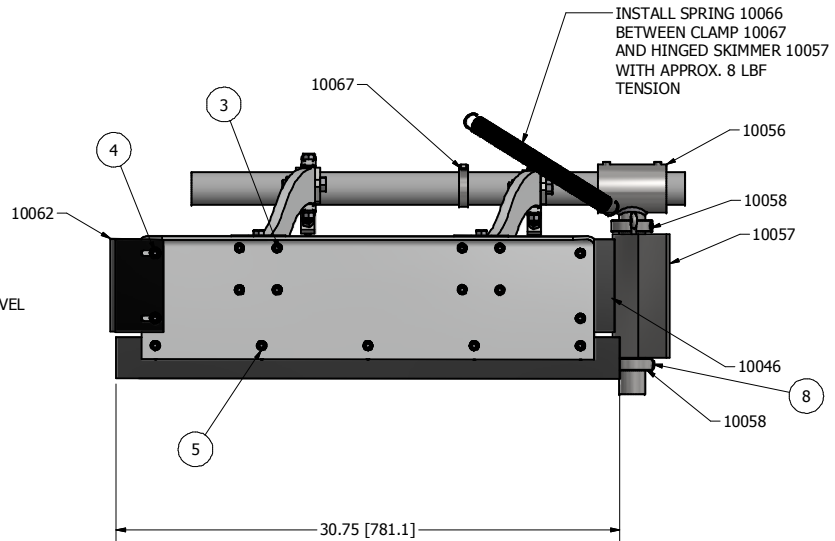
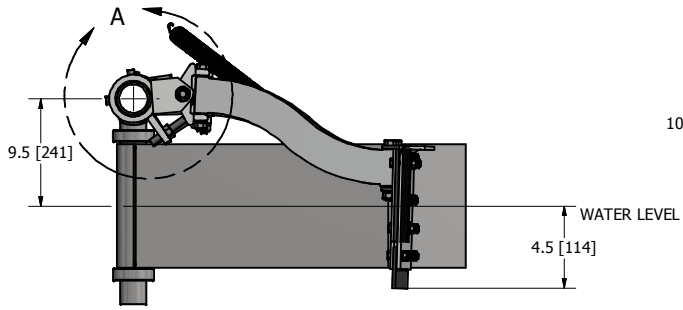
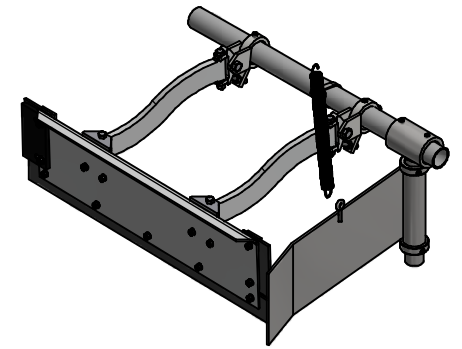
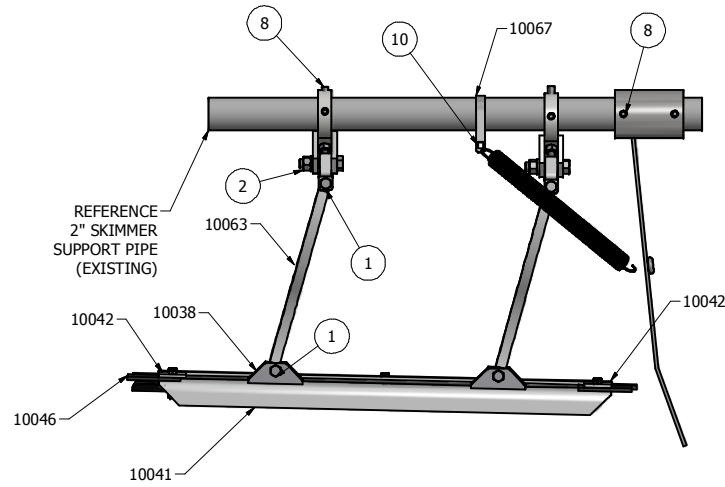


DETAIL A

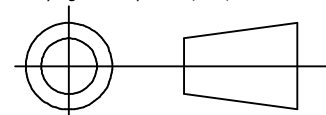


NOTE: BALLOONS REFER TO FASTENER KIT 10085

APPROXIMATE WEIGHT - 68 LBS

This drawing is property of AshtonTucker, and is transmitted in confidence. Neither the receipt nor possession confers or transfers any rights to reproduce, use, or disclose anything contained herein.

X.X ± 0.1 [2.5 mm]  
 X.XX ± 0.03 [0.76 mm]  
 X.XXX ± 0.005 [0.13 mm]



DRAWN	JKS	5/22/2015	<b>AshtonTucker</b>	
CHECKED	ISO	5/22/2015		
TITLE			TOP ASSEMBLY 2'- 6" FOOT SKIMMER	
SIZE	C	DWG NO	P1601211	REV
DO NOT SCALE			SHEET 1 OF 1	