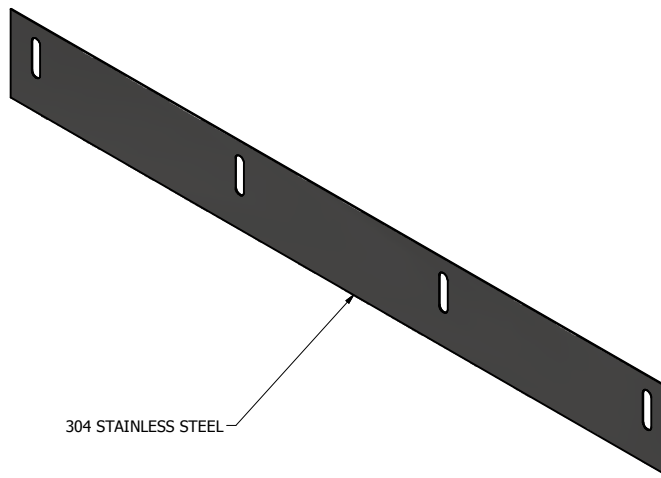
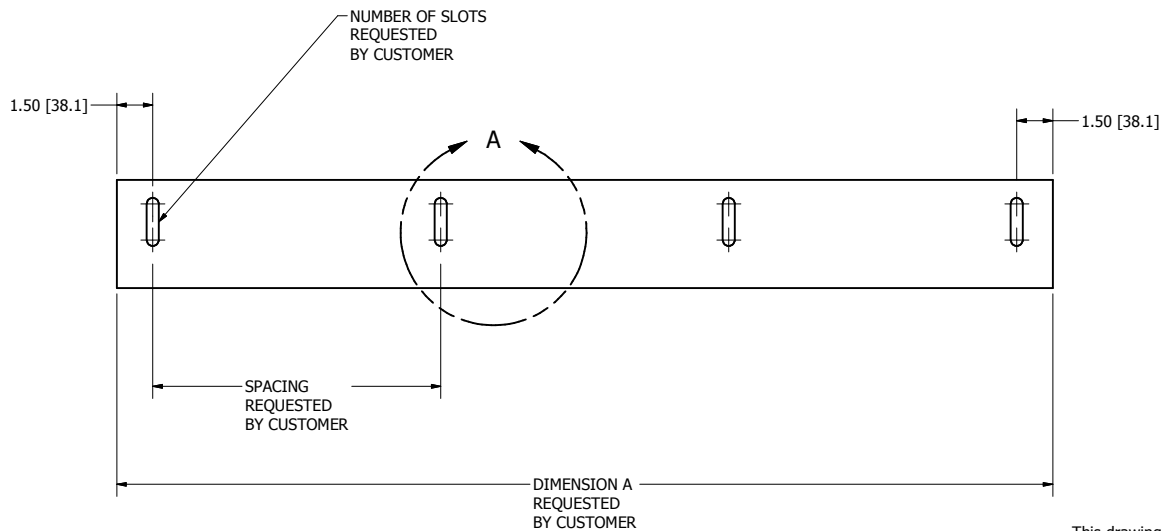


DETAIL A



304 STAINLESS STEEL



20 GAUGE

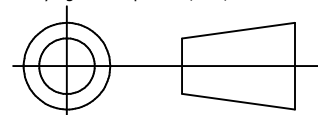
WRITE IN THE DESIRED DIMENSIONS AND EMAIL BACK TO INFO@ASHTUCK.COM

This drawing is property of AshtonTucker, and is transmitted in confidence. Neither the receipt nor possession confers or transfers any rights to reproduce, use, or disclose anything contained herein.

X.X ± 0.1 [2.5 mm]

X.XX ± 0.03 [0.76 mm]

X.XXX ± 0.005 [0.13 mm]



DRAWN	JKS	8/14/2015	<b>AshtonTucker</b>	
CHECKED	ISO	8/14/2015		
TITLE			BASIC SQUEEGEE	
SIZE	C	DWG NO		
DO NOT SCALE			SHEET 1 OF 1	